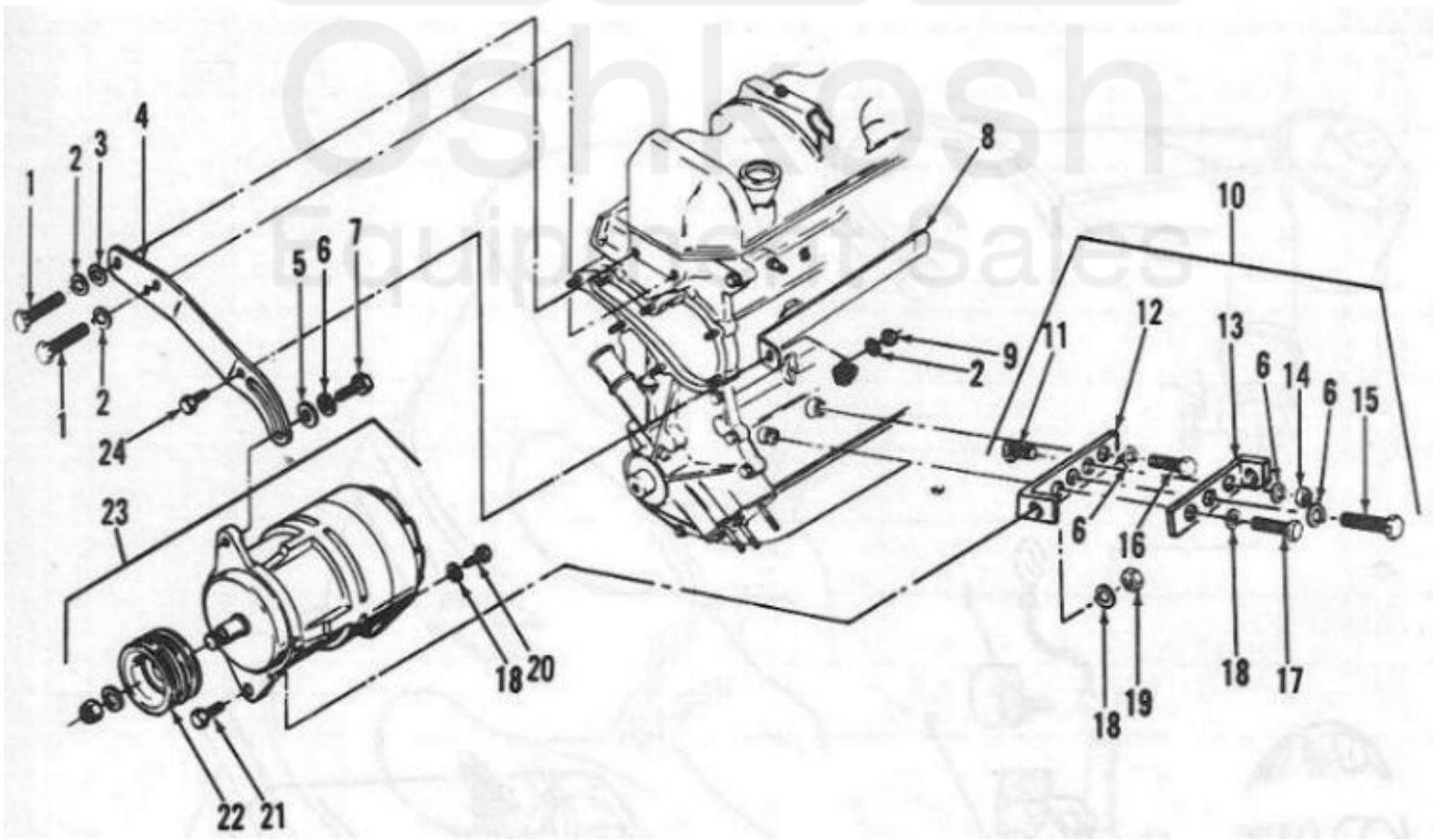


| (1)<br>SMR<br>code | (2)<br>Federal<br>Stock<br>Number | (3)<br>Description<br><br>Reference Number & Mfg. Code<br>Usable on Code | (4)<br>Unit<br>of<br>meas | (5)<br>Qty<br>inc<br>in<br>unit |              |               | (6)<br>30-day DS<br>maint.<br>allowance |              |               | (7)<br>30-day GS<br>maint.<br>allowance |                    |  | (8)<br>1-yr<br>alw<br>per<br>100<br>equip<br>cntgcy | (9)<br>Depot<br>maint<br>alw<br>per<br>100<br>equip | (10)<br>Illustration |  |
|--------------------|-----------------------------------|--|---------------------------|---------------------------------|--------------|---------------|---|--------------|---------------|---|--------------------|--|---|---|----------------------|--|
|                    |                                   |  |                           | (a)<br>1-20                     | (b)<br>21-50 | (c)<br>51-100 | (a)<br>1-20                             | (b)<br>21-50 | (c)<br>51-100 | (a)<br>Figure<br>No.                    | (b)<br>Item<br>No. |  |   |   |                      |  |
|                    |                                   | 0505 FANASSEMBLY   |                           |                                 |              |               |   |              |               |   |                    |  |   |   |                      |  |
| PO                 | 5306-225-8499                     | 1<br>SCREW. CAP, HEX HEAD, 5/16-18 x<br>MS90725-34 (96906)               | EA                        | *                               | *            | *             | *                                       | *            | *             |   |                    |  |   | 34  | 1                    |  |
| PO                 | 5310-407-9566                     | 5/16<br>WASHER, LOCK, FAN MOUNTING,<br>MS35338-45 (96906)                | EA                        | *                               | *            | *             | *                                       | *            | *             |   |                    |  |   | 34  | 2                    |  |
| PO                 | 2930-168-2340                     | FAN ASSEMBLY, RADIATOR<br>11657642 (19207)                               | EA                        | *                               | *            | *             | *                                       | *            | *             |   |                    |  |   | 34  | 3                    |  |
| PO                 | 3030-130-5209                     | BELT, V, SET, FAN AND<br>ALTERNATOR<br>MS51065-42-3(96906)               | EA                        | *                               | *            | *             | *                                       | *            | *             |   |                    |  |   | 34  | 26                   |  |

### GROUP 06 Electrical System



**Current part is item (46) on diagram. Available at [www.oshkoshequipment.com](http://www.oshkoshequipment.com)**

| (1)<br>SMR<br>code | (2)<br>Federal<br>Stock<br>Number | (3)<br>Description<br><br>Reference Number & Mfg. Code<br><br>Usable on Code | (4)<br>Unit<br>of<br>meas | (5)<br>Qty<br>inc<br>in<br>unit | (6)<br>30-day DS<br>maint.<br>allowance |              |               | (7)<br>30-day GS<br>maint.<br>allowance |              |               | (8)<br>1-yr<br>alw<br>per<br>100<br>equip<br>cntgcy | (9)<br>Depot<br>maint<br>alw<br>per<br>100<br>equip | (10)<br>Illustration |                    |  |
|--------------------|-----------------------------------|--|---------------------------|---------------------------------|---|--------------|---------------|---|--------------|---------------|---|---|----------------------|--------------------|--|
|                    |                                   |  |                           |                                 | (a)<br>1-20                             | (b)<br>21-50 | (c)<br>51-100 | (a)<br>1-20                             | (b)<br>21-50 | (c)<br>51-100 |   |   | (a)<br>Figure<br>No. | (b)<br>Item<br>No. |  |
|                    |                                   | GROUP 06 ELECTRICAL SYSTEM   |                           |                                 |   |              |               |   |              |               |   |   |                      |                    |  |
|                    |                                   | 0601 ALTERNATOR  |                           |                                 |   |              |               |   |              |               |   |   |                      |                    |  |
| PO                 | 5306-226-4837                     | SCREW, ALTERNATOR BRACKET<br>MS90728-44 (96906)                              | EA                        | 2                               | *                                       | *            | *             | *                                       | *            | *             |   |   | 35                   | 1                  |  |
| PO                 | 5310-407-9566                     | WASHER, LOCK, 5/16<br>MS35338-45 (96906)                                     | EA                        | 3                               | *                                       | *            | *             | *                                       | *            | *             |   |   | 35                   | 2                  |  |
| PO                 | 5310-081-4219                     | WASHER, PLAIN, 5/16<br>MS27183-12 (96906)                                    | EA                        | 1                               | *                                       | *            | *             | *                                       | *            | *             |   |   | 35                   | 3                  |  |
| PO                 | 2920-247-0003                     | BRACKET, ALTERNATOR<br>ADJUSTING<br>11657287 (19207)                         | EA                        | 1                               | *                                       | *            | *             | *                                       | *            | *             |   |   | 35                   | 4                  |  |
| PO                 | 5310-698-4460                     | WASHER<br>7966692 (19207)  | EA                        | 1                               | *                                       | *            | *             | *                                       | *            | *             |   |   | 35                   | 5                  |  |
| PO                 | 5310-637-9541                     | WASHER, LOCK, 3/8<br>MS35338-46 (96906)                                      | EA                        | 4                               | *                                       | *            | *             | *                                       | *            | *             |   |   | 35                   | 6                  |  |
| PO                 | 5305-018-0121                     | SCREW, 3/8-16 x 7/8<br>MS90728-59 (96906)                                    | EA                        | 1                               | *                                       | *            | *             | *                                       | *            | *             |   |   | 35                   | 7                  |  |
| X20                |                                   | BRACE, ALTERNATOR SUPPORT<br>11657284 (19207)                                | EA                        | 1                               | *                                       | *            | *             | *                                       | *            | *             |   |   | 35                   | 8                  |  |
| PO                 | 5310-880-7746                     | NUT, 5/16-24<br>MS51968-5 (96906)  | EA                        | 1                               | *                                       | *            | *             | *                                       | *            | *             |   |   | 35                   | 9                  |  |
| PO                 | 2590-474-5587                     | BRACKET, ALTERNATOR<br>MOUNTING<br>11657293 (19207)                          | EA                        | 1                               | *                                       | *            | *             | *                                       | *            | *             |   |   | 35                   | 10                 |  |
| PO                 | 5305-269-2804                     | BOLT, 3/8-24 x 1-1/8<br>MS90726-61 (96906)                                   | EA                        | 1                               | *                                       | *            | *             | *                                       | *            | *             |   |   | 35                   | 11                 |  |
| X20                |                                   | BRACKET, ALTERNATOR<br>MOUNTING, FRONT<br>11657261 (19207)                   | EA                        | 1                               | *                                       | *            | *             | *                                       | *            | *             |   |   | 35                   | 12                 |  |
| X20                |                                   | BRACKET, ALTERNATOR<br>MOUNTING, REAR<br>11657198 (19207)                    | EA                        | 1                               | *                                       | *            | *             | *                                       | *            | *             |   |   | 35                   | 13                 |  |

| (1)<br>SMR<br>code | (2)<br>Federal<br>Stock<br>Number | (3)<br>Description<br><br>Reference Number & Mfg. Code<br><br>Usable on Code | (4)<br>Unit<br>of<br>meas | (5)<br>Qty<br>inc<br>in<br>unit | (6)<br>30-day DS<br>maint.<br>allowance |              |               | (7)<br>30-day GS<br>maint.<br>allowance |              |               | (8)<br>1-yr<br>alw<br>per<br>100<br>equip<br>cntgcy | (9)<br>Depot<br>maint<br>alw<br>per<br>100<br>equip | (10)<br>Illustration |                    |  |
|--------------------|-----------------------------------|--|---------------------------|---------------------------------|---|--------------|---------------|---|--------------|---------------|---|---|----------------------|--------------------|--|
|                    |                                   |  |                           |                                 | (a)<br>1-20                             | (b)<br>21-50 | (c)<br>51-100 | (a)<br>1-20                             | (b)<br>21-50 | (c)<br>51-100 |   |   | (a)<br>Figure<br>No. | (b)<br>Item<br>No. |  |
|                    |                                   |  |                           |                                 |   |              |               |   |              |               |   |   |                      |                    |  |

| Current part is item (46) on diagram. Available at <a href="http://www.oshkoshesales.com">www.oshkoshesales.com</a> |                                   |  |                           |                                 |             |              |               |             |              |               |   |   |                      |                    |
|---|-----------------------------------|--|---------------------------|---------------------------------|-------------|--------------|---------------|-------------|--------------|---------------|---|---|----------------------|--------------------|
| (1)<br>SMR<br>code  | (2)<br>Federal<br>Stock<br>Number | (3)<br>Description<br><br>Reference Number & Mfg. Code<br><br>Usable on Code                   | (4)<br>Unit<br>of<br>meas | (5)<br>Qty<br>inc<br>in<br>unit | (a)<br>1-20 | (b)<br>21-50 | (c)<br>51-100 | (a)<br>1-20 | (b)<br>21-50 | (c)<br>51-100 | (8)<br>1-yr<br>alw<br>per<br>100<br>equip<br>cntgcy | (9)<br>Depot<br>maint<br>alw<br>per<br>100<br>equip | (a)<br>Figure<br>No. | (b)<br>Item<br>No. |
|   |                                   | 0601 ALTERNATOR Continued  |                           |                                 |             |              |               |             |              |               |   |   |                      |                    |
| PO  | 5310-732-0559                     | NUT, 3/8-24<br>MS51968-8(96906)  | EA                        | 1                               | *           | *            | *             | *           | *            | *             |   |   | 35                   | 14                 |
| PO  | 5305-269-2801                     | BOLT, ALTERNATOR FRONT<br>AND REAR MOUNTING BRACKETS,<br>3/8-24 x 3/4<br>MS90726-58 (96906)    | EA                        | 1                               | *           | *            | *             | *           | *            | *             |   |   | 35                   | 15                 |
| PO  | 5305-825-8055                     | SCREW, CAP HEX HEAD,<br>ALTERNATOR MOUNTING<br>BRACKET ASSY., 7/16-14x 1<br>MS35303-85 (96906) | EA                        | 1                               | *           | *            | *             | *           | *            | *             |   |   | 35                   | 16                 |
| PO  | 5305-709-8523                     | SCREW, CAP HEX HEAD, 7/16-14 x<br>1-1/4, ALTERNATOR BRACKET<br>MS90727-87 (96906)              | EA                        | 1                               | *           | *            | *             | *           | *            | *             |   |   | 35                   | 17                 |
| PO  | 5310-209-0965                     | WASHER, LOCK , 7/16<br>MS3533847 (96906)   | EA                        | 4                               | *           | *            | *             | *           | *            | *             |   |   | 35                   | 18                 |
| PO  | 5310-297-3250                     | NUT, 7/16-20<br>MS51968-11 (96906)   | EA                        | 1                               | *           | *            | *             | *           | *            | *             |   |   | 35                   | 19                 |
| PO  | 5305-710-4190                     | SCREW, CAP, HEX HEAD,<br>ALTERNATOR, 7/16-20 x 1<br>MS90726-85 (96906)                         | EA                        | 1                               | *           | *            | *             | *           | *            | *             |   |   | 35                   | 20                 |
| PO  | 5305-710-4194                     | SCREW, 7/16-20 x 1-1/2<br>MS90726-89 (96906)   | EA                        | 1                               | *           | *            | *             | *           | *            | *             |   |   | 35                   | 21                 |
| PO  | 2920-917-0729                     | PULLEY, ALTERNATOR<br>11657271 (19207)   | EA                        | 1                               | *           | *            | *             | *           | *            | *             |   |   | 35                   | 22                 |
| POR   | 2920-909-2483                     | ALTERNATOR. RECTIFIED AC, 60<br>AMP<br>10929868 (19207)  | EA                        | 1                               | *           | *            | *             | *           | *            | *             |   |   | 35                   | 23                 |
| PO  | 5306-225-9088                     | SCREW, CAP, HEX HEAD<br>ALTERNATOR SUPPORT BRACE<br>MS90726-33 (96906)                         | EA                        | 1                               | *           | *            | *             | *           | *            | *             |   |   | 35                   | 24                 |
|   |                                   | 0603 STARTING MOTOR  |                           |                                 |             |              |               |             |              |               |   |   |                      |                    |
| X20   |                                   | PLATE, STARTER SWITCH<br>11657749 (19207)  | EA                        | 1                               | *           | *            | *             | *           | *            | *             |   |   | 36                   | 1                  |
| PO  | 5305-543-2335                     | SCREW AND LOCK WASHER,<br>PLATE MOUNTING<br>188749 (24617)                                     | EA                        | 4                               | *           | *            | *             | *           | *            | *             |   |   | 36                   | 2                  |